

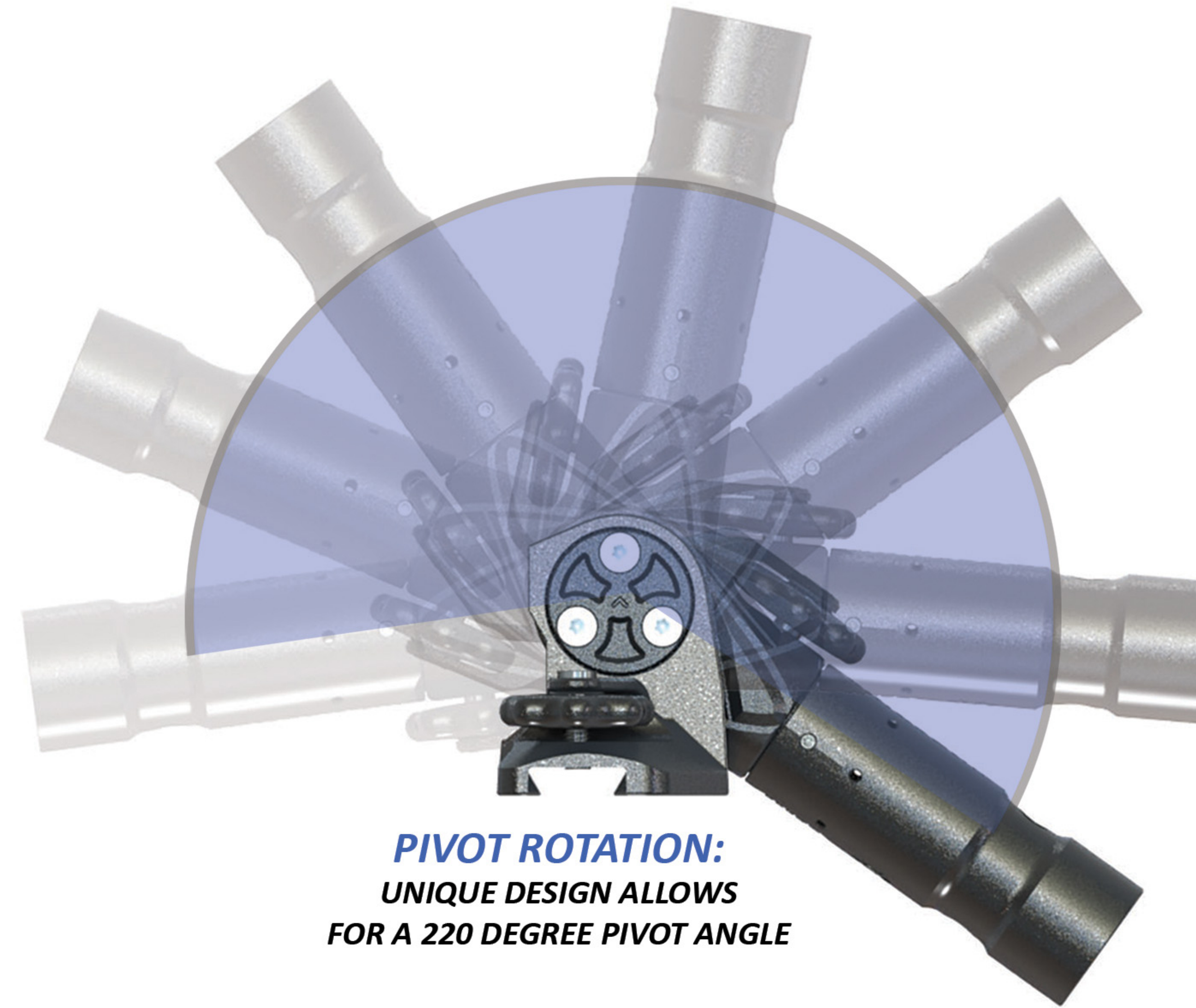
**POLE EXTENSION MOUNT:**  
1-3/8" AND 1-3/4" WITH  
THUMB RECESS FOR QUICK  
DISCONNECT

**PIVOT TENSIONER:**  
ALLOWS THE OPERATOR TO  
SET THE RESISTANCE ON THE PIVOT

**PIVOT:**  
CONTAINS HARDENED BEVELED  
GEARS IN A SEALED HOUSING

**QR-CODE DECAL:**  
SCAN WITH YOUR SMART PHONE  
CAMERA TO LINK WITH THE ONLINE  
MANUAL

**INTEGRATED QAS KNOBS:**  
QUICKLY ATTACH AND REMOVE  
FROM FLOATS WITHOUT TOOLS



**REGISTER BY SCANNING WITH  
SMART PHONE CAMERA**

**Cleaning**   
Wipe down with a wet cloth.  
**DO NOT PRESSURE WASH  
OR SUBMERGE**

**SERIAL PLATE:**  
UNIQUE SERIAL NUMBER  
IAS ASSIGNED TO EVERY PROTILT

**QAS RECEPTICLE:**  
SLIDES OVER MALE QAS  
MOUNTS AND LOCKS ON  
BY TIGHTENING KNOBS  
NO TOOLS REQUIRED



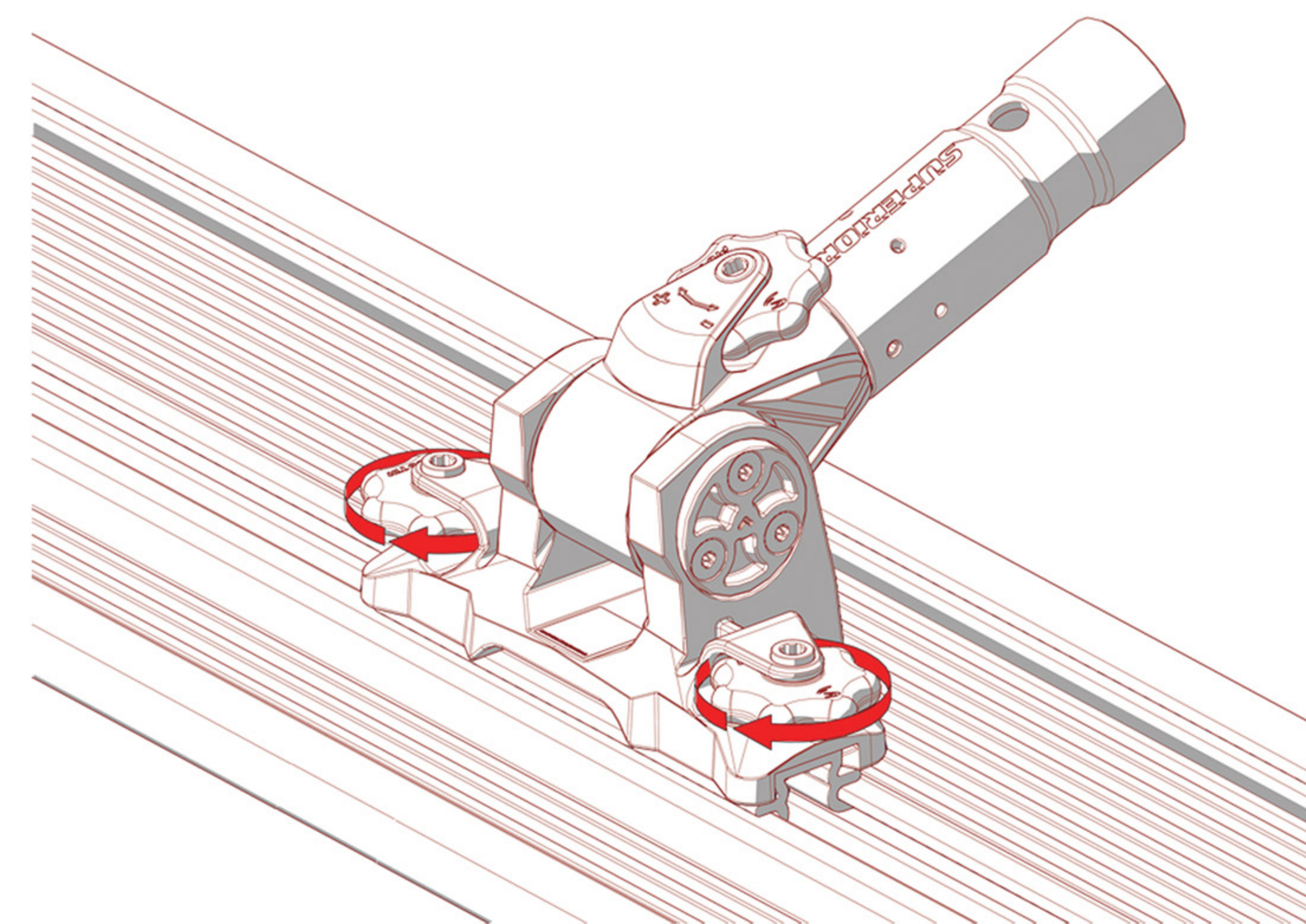
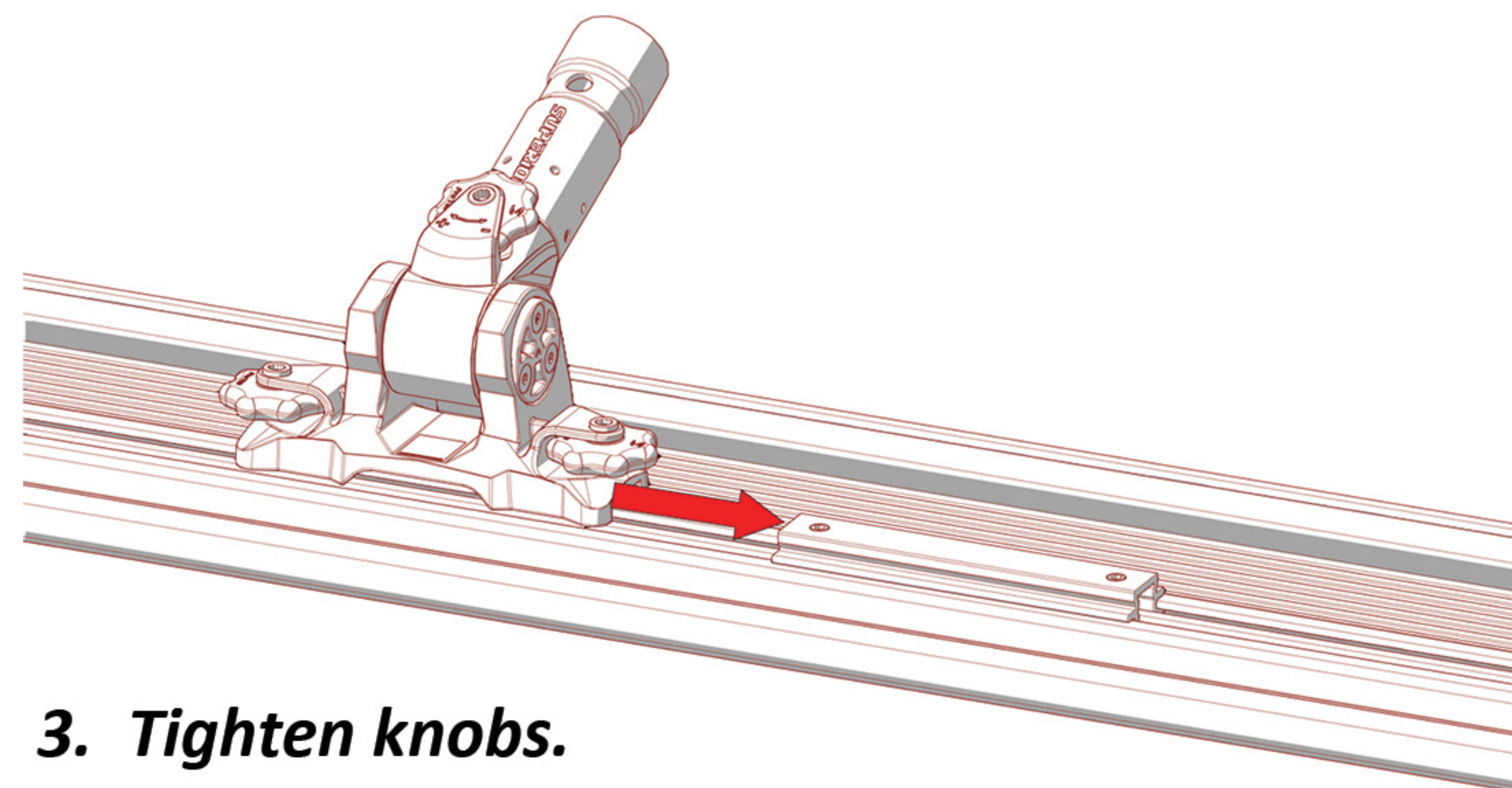
Full manual available online at  
[www.magvibe.com/manuals](http://www.magvibe.com/manuals)  
or scan the QR code with your smart phone camera

## Mounting

# QUICK ATTACH SYSTEM

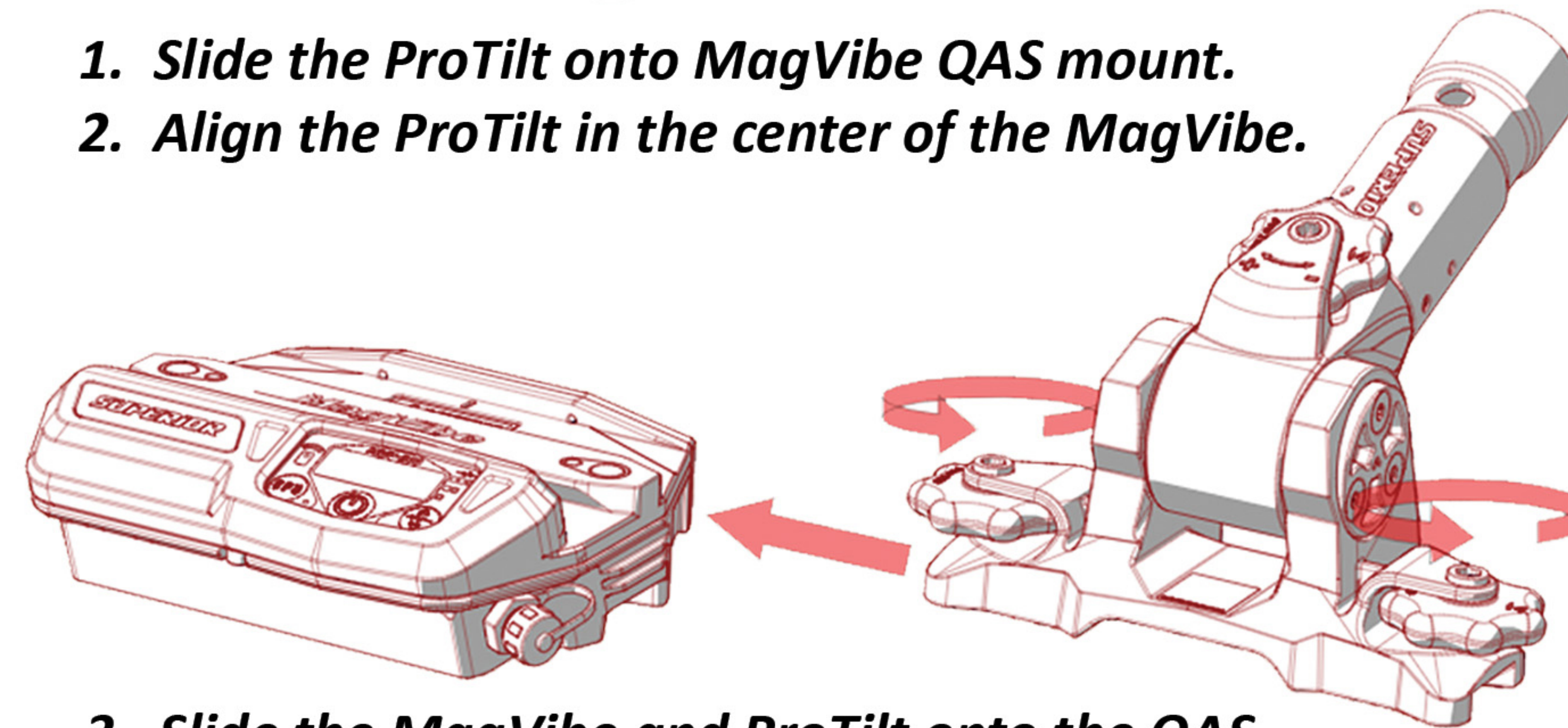
## ProFloat

1. Align and slide the ProTilt onto QAS mount.
2. Center the ProTilt in the middle of the mount.

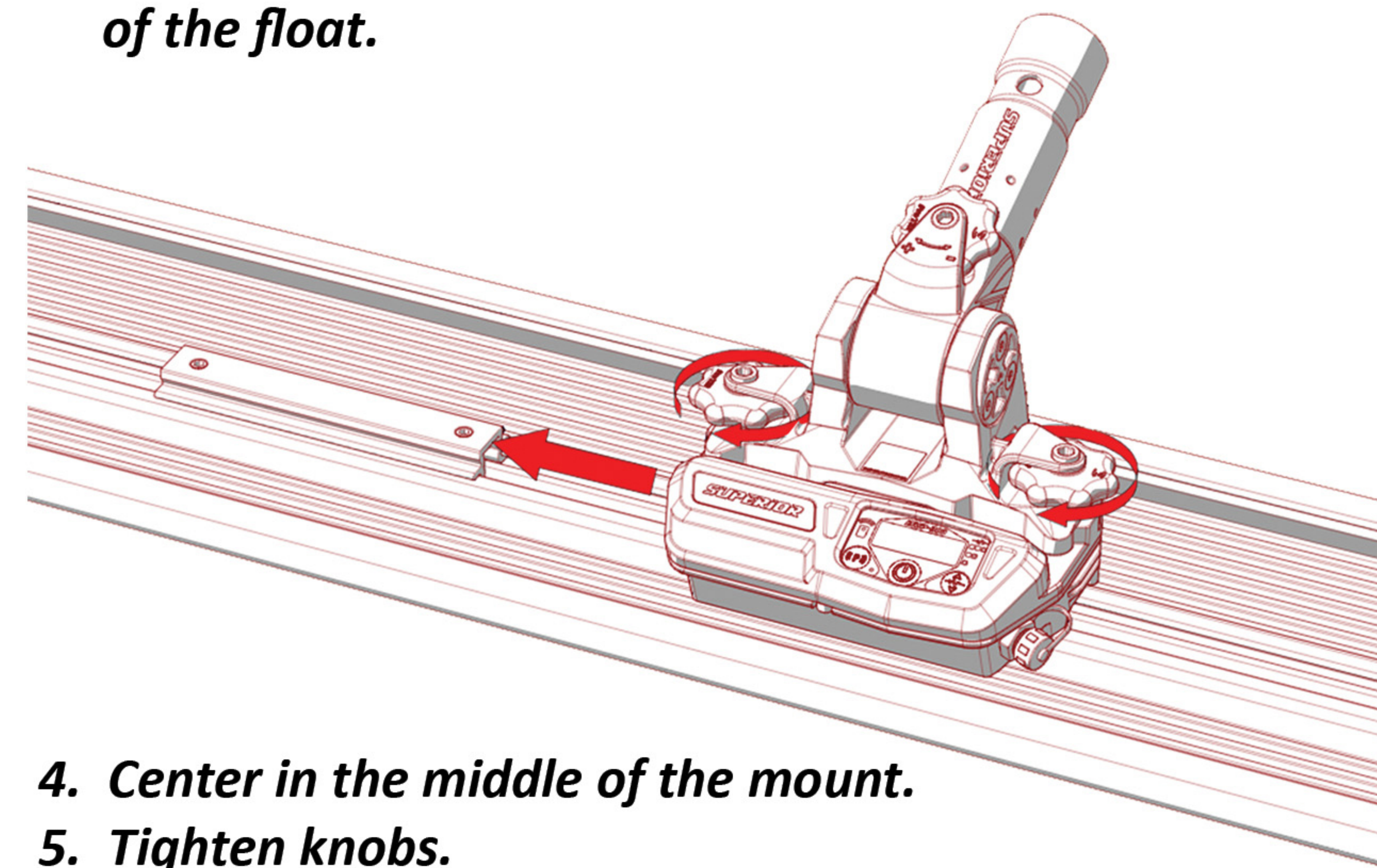


## MagVibe

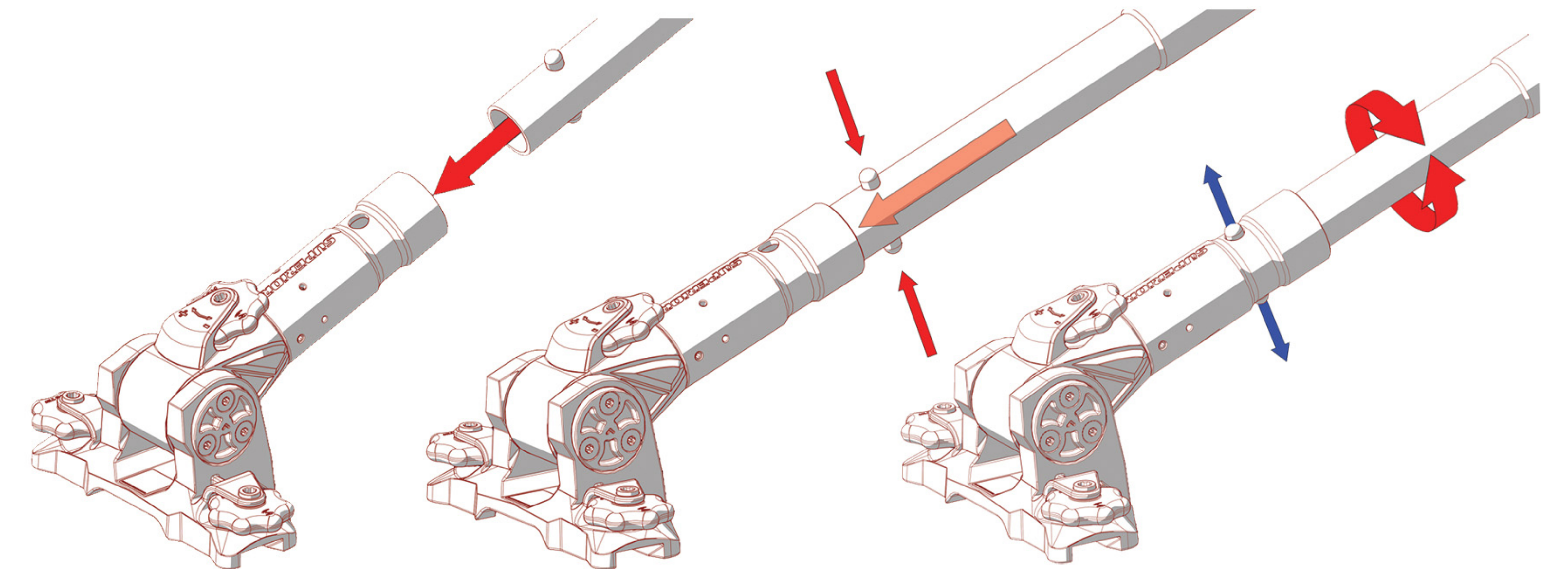
1. Slide the ProTilt onto MagVibe QAS mount.
2. Align the ProTilt in the center of the MagVibe.



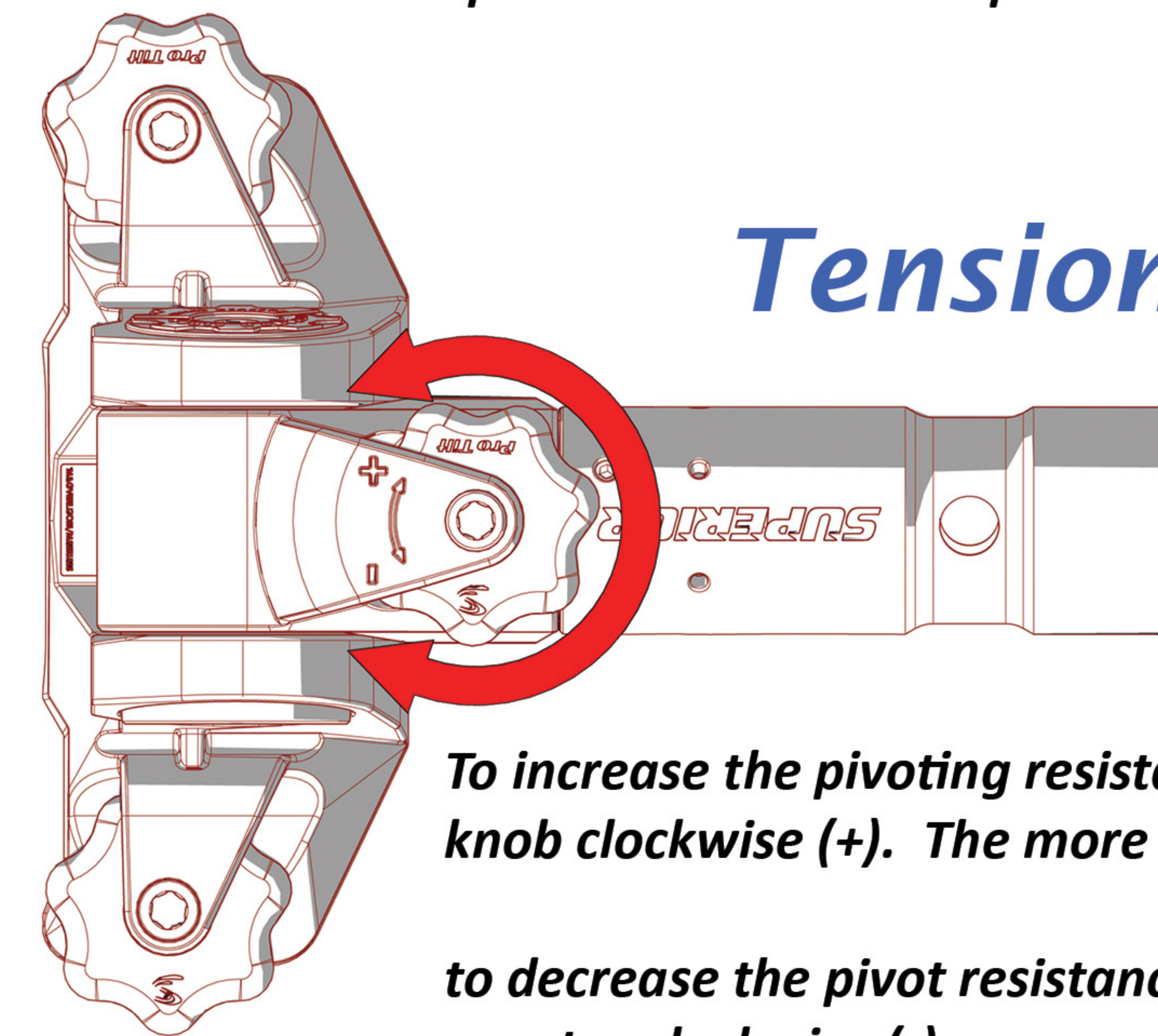
3. Slide the MagVibe and ProTilt onto the QAS of the float.



## Pole Extension



1. Slide the pole extension into the ProTilt handle slightly.
2. Compress the pins of the pole extension and continue to insert.
3. Release the pins once they pass the mount and slightly rotate the pole until the pins are in the mount pin holes.



## Tensioner

To increase the pivoting resistance, rotate the tension knob clockwise (+). The more you turn it - the more resistance.

to decrease the pivot resistance, turn the knob counter-clockwise (-).



REGISTER BY SCANNING WITH  
SMART PHONE CAMERA



Full manual available online at  
[www.magvibe.com/manuals](http://www.magvibe.com/manuals)  
or scan the QR code with your smart phone camera

Customer Service:  
(844) 624-8423  
[www.superiorinnovationsinc.com](http://www.superiorinnovationsinc.com)